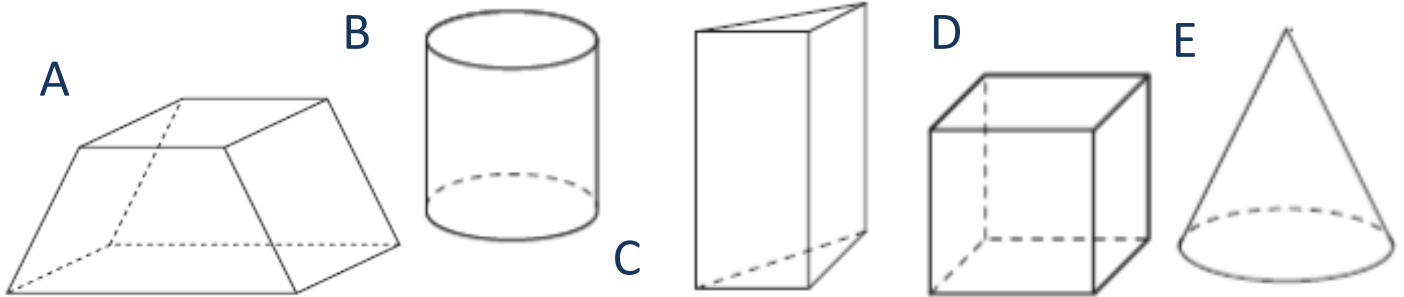
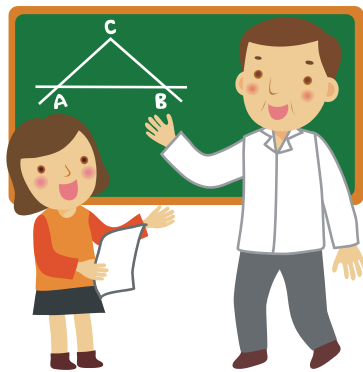


Who, where and when?

A crime has been committed – the criminal has made 2 errors, the victim has made 0 errors (and the other 2 have made 1 error). Can you help solve the mystery?



The Maths teacher said:



- Shape C has 6 vertices
- Shape D is a cube
- Shape E is a pyramid
- Shape B is a cylinder

The PE teacher said:



- Shape C has 9 edges
- Shape A has 6 faces
- Shape D is has 12 edges
- Shape E is a cone



The Art teacher said:

- Shape B has 3 faces
- Shape C is a triangular based pyramid
- Shape D has 8 vertices
- Shape A has 12 edges

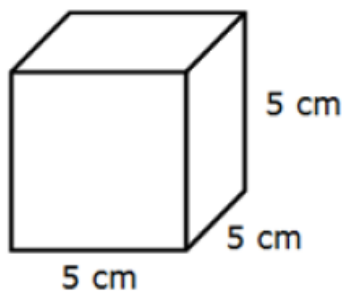
The ICT teacher said:



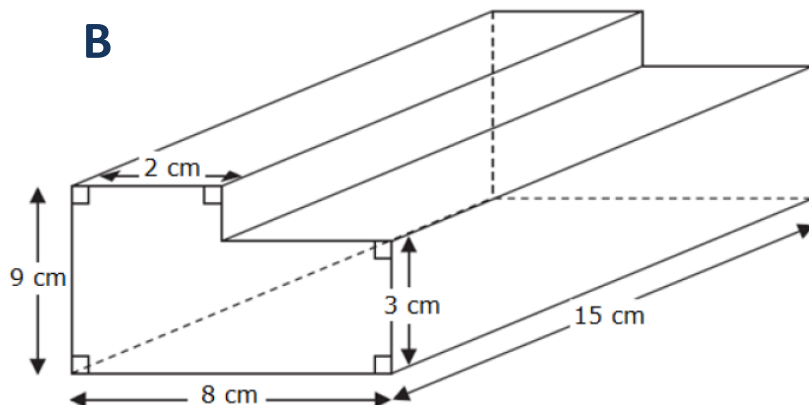
- Shape E has 2 faces
- Shape C has 6 faces
- Shape D has 6 faces
- Shape A has 6 vertices

Where?

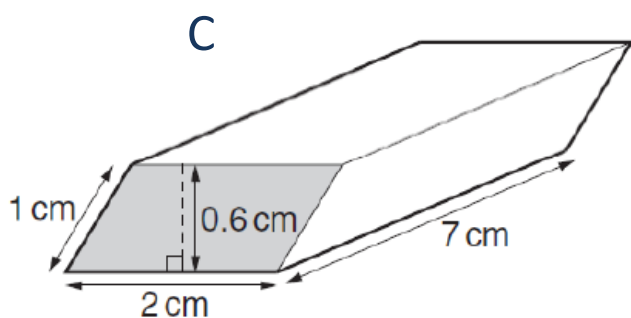
The crime was committed on the day and at one of the locations below, but which one? It happened where ALL the answers are true.



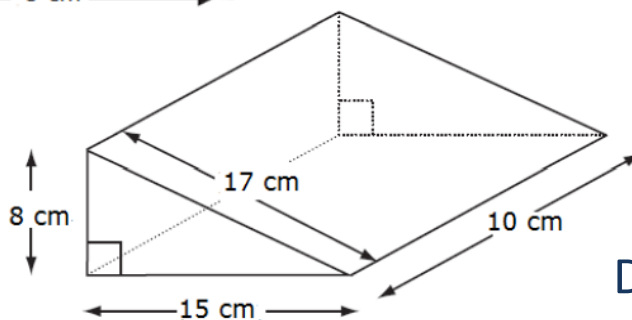
A



B



C



D

Monday in the gym	The surface area of A is 150 cm^2 The volume of C is 8.4 cm^3 The volume of D is 750 cm^3
Tuesday in the dining room	The surface area of A is $1,500 \text{ mm}^2$ The volume of B is 540 cm^3 The volume of D is 1200 cm^3
Thursday on the playing fields	The surface area of A is 0.015 m^2 The volume of B is 0.00054 m^3 The volume of D is 600 cm^3
Friday in the maths classroom	The surface area of A is 0.15 m^2 The volume of D is 0.0006 m^3 The volume of A is $125,000 \text{ mm}^3$

The Accusation

Who	
Where & when	